

Sex Bolts

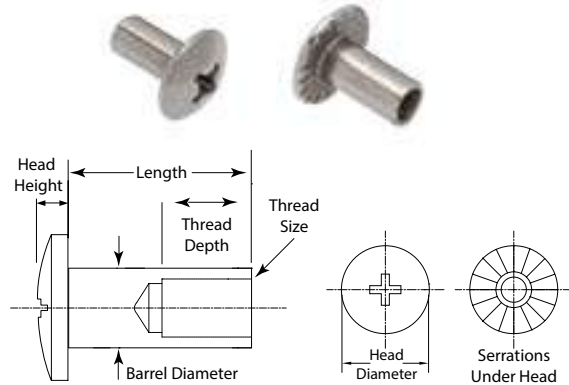
18-8 SS, Steel,
Aluminum

Phillips Truss Head Barrels – Inch

These female barrels have a Phillips Truss Head, no knurl under the head, no mating screw. These barrels have serrations under the head.

Materials and finishes offered in:

- Steel | Chrome Plated
- 18-8 Stainless Steel | Plain Finish



Barrel Diameter	Barrel Length	Thread Size	Thread Depth	Head Diameter	Head Height	Steel, Chrome Part Number
1/4	1/2	10-24	3/8	13/32	1/8	Z4850

Barrel Diameter	Barrel Length	Thread Size	Thread Depth	Head Diameter	Head Height	18-8 SS Part Number
3/16	3/8	6-32	1/4	3/8	3/32	Z4740
7/32	3/8	8-32	1/4	7/16	3/32	Z4741
1/4	1/2	10-24	3/8	9/16	9/64	Z4742
5/16	5/8	1/4-20	7/16	11/16	3/16	Z4743
3/8	3/4	5/16-18	5/8	3/4	7/32	Z4744
7/16	3/4	3/8-16	5/8	15/16	7/32	Z4745
7/16	3/4	3/8-16	5/8	13/16	7/32	Z4746

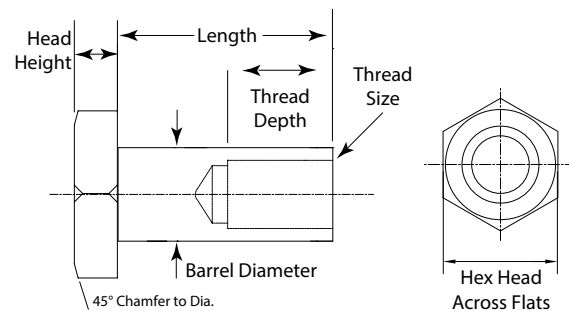
Hex Head Barrels – Inch

These sex bolts have hex heads, no knurl under the head, no mating screw.



Materials and finishes offered in:

- 18-8 Stainless Steel | Plain Finish



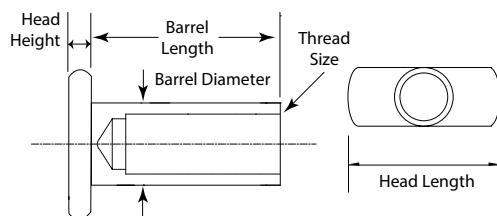
Barrel Diameter	Barrel Length	Thread Size	Thread Depth	Across Flats	Head Height	18-8 SS Part Number
	1/2	10-24	5/16	1/2	3/16	Z4180-SS
5/16	3/4	10-24	3/8	1/2	3/16	Z4181-SS
	1	10-24	3/8	1/2	3/16	Z4182-SS
3/8	1/2	1/4-20	5/16	5/8	13/64	Z4185-SS
	3/4	1/4-20	3/8	5/8	13/64	Z4186-SS
	1	1/4-20	3/8	5/8	13/64	Z4187-SS
1/2	1/2	3/8-16	5/16	3/4	1/4	Z4190-SS
	3/4	3/8-16	3/8	3/4	1/4	Z4191-SS
	1	3/8-16	3/8	3/4	1/4	Z4192-SS

T Head Barrels – Inch

Special "T Slot" style head is used in commercial railing systems.

Materials and finishes offered in:

- Aluminum | Plain Finish



Barrel Length	Thread Size	Head Length	Head Width	Head Height	Part Number
3/8	8-32	.406	.210	1/16	Z4660
1/2	8-32	.406	.210	1/16	Z4661
5/8	8-32	.406	.210	1/16	Z4662
3/4	8-32	.406	.210	1/16	Z4663

CAT.Ver.01.A