

Controller dimensions and specifications

This product doesn't correspond to the overseas standard of anything.

NTN parts feeder

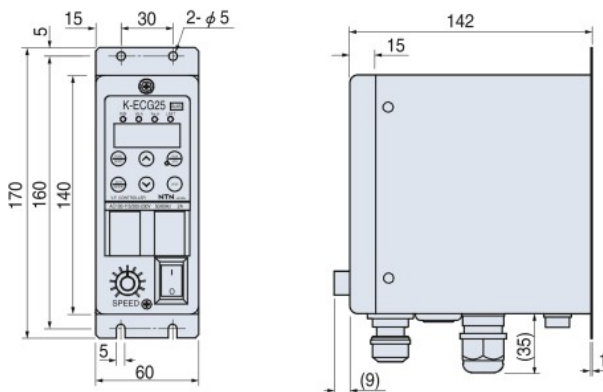
Small variable frequency controller

K- E C F 2 5

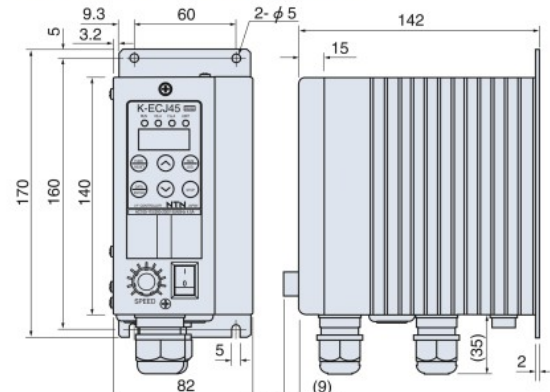
- Voltage and drive system
- Control capacity
- Control function (application)
- Controller code

Standard type, Multifunction type

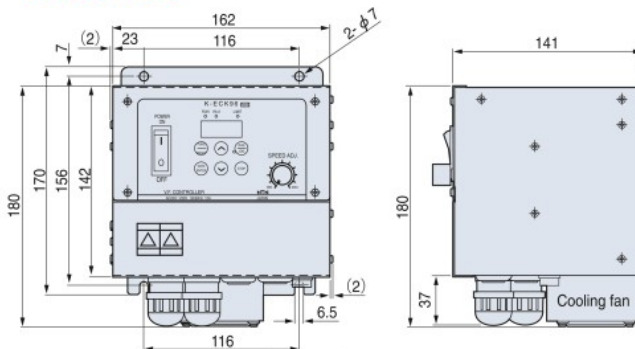
K-ECF25, K-ECG25



K-ECH45, K-ECJ45

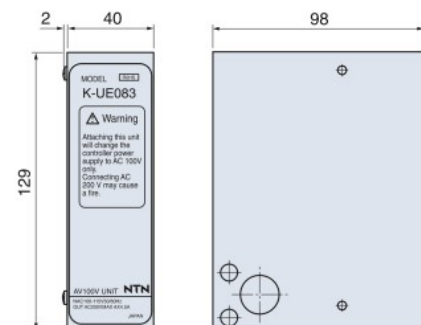


K-ECK96



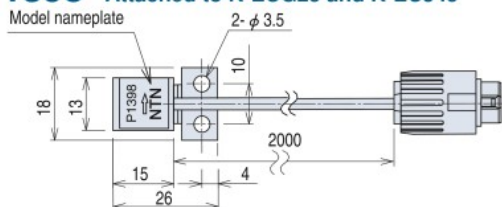
The separate vibration sensor (K-P1398) is required when using the constant amplitude function.

K-UE083

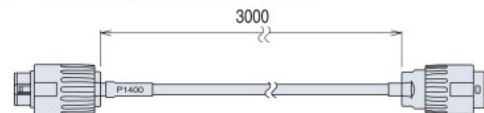


There is no attachment hole as the controller is fixed from the side.

K-P1398 Attached to K-ECG25 and K-ECJ45



K-P1400 (extension cable)



Part number	Control functions	Control capacity (A)	Supply voltage (V)	Applicable drive unit
K-ECF25	External control + ON/OFF control with sensor + operation instructions	2A	100/200V	K10-K16, K20 (200V), K25 (200V) S-series, V-series (200V)
K-ECG25	External control + ON-OFF control with sensor + operation instructions + resonance point tracing and constant amplitude			
K-ECH45	External control + ON/OFF control with sensor + operation instructions	4.5A	100/200V	N32, N40, G50 · 1, K20 (100V), N25 (100V), V-series (100V)
K-ECJ45	External control + ON-OFF control with sensor + operation instructions + resonance point tracing and constant amplitude			
K-ECK96	External control + ON-OFF control with sensor + operation instructions + (constant amplitude)	12A	200V	G63
K-UE083	Boosting from 100 V-200 V	4.5A	100V	K-ECF25, K-ECG25, K-ECH45, K-ECJ45